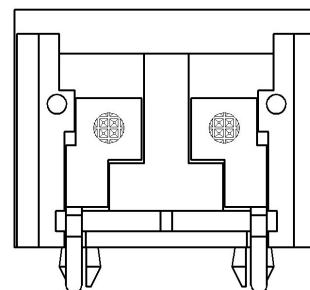
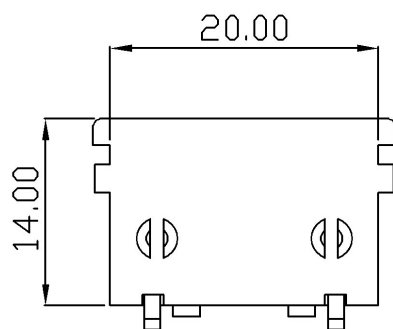
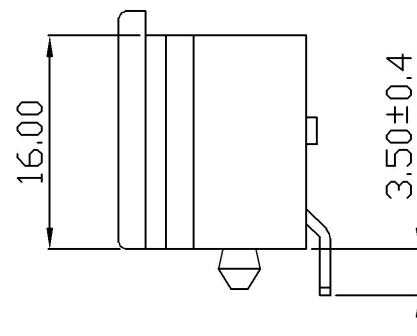
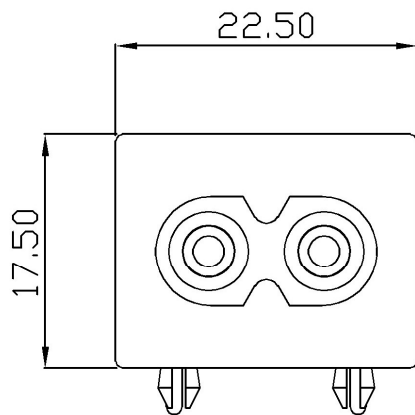


**SO-222-B-315-P1**

## SPECIFICATIONS

- **RATING : 2.5A / 250V AC**  
**7 A / 125V AC**
- **APPROVALS : UL/CUL/CCC/ENEC**



<http://www.tecx.com.tw>

**Head office** : T: + 886-2-26957999 E.mail: [amy@tecx.com.tw](mailto:amy@tecx.com.tw) **Suzhou office**: T:86-512-63062593 E-mail: [james@tecx.com.cn](mailto:james@tecx.com.cn)

**Factory** : T: +86-755-84084576 E.mail: [wan@tecx.com.cn](mailto:wang@tecx.com.cn) **H.K office**: T: +852-27939186 E-mail: [helen@hkwintech.com](mailto:helen@hkwintech.com)