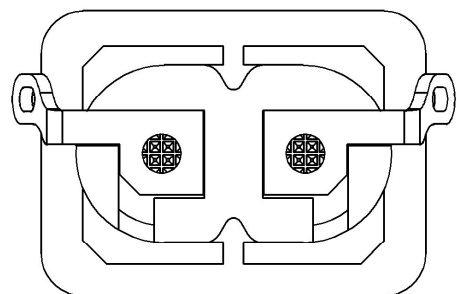
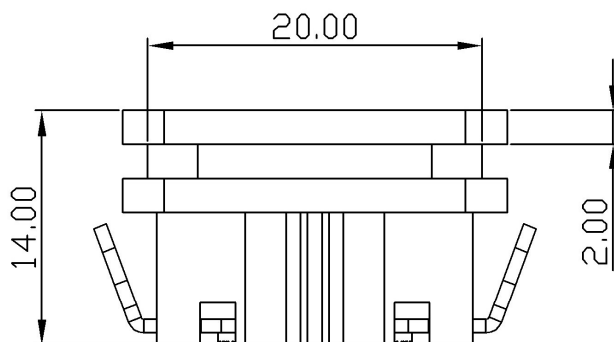
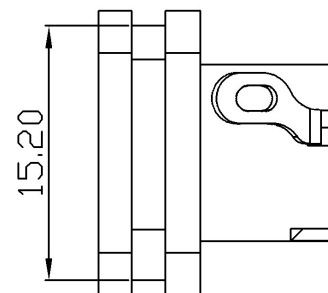
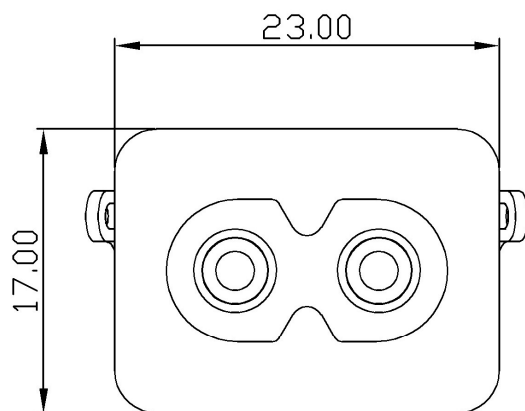




SO-222-KA-020-SS7-B

SPECIFICATIONS

- **RATING : 2.5A / 250V AC
7 A / 125V AC**
- **APPROVALS : UL/CUL/CCC/ENEC**



<http://www.tecx.com.tw>

Head office : T: + 886-2-26957999 E.mail: amy@tecx.com.tw **Suzhou office:** T:86-512-63062593 E-mailL: james@tecx.com.cn

Factory : T:+86-755-84084576 E.maill: wan@tecx.com.cn **H.K office:** T:+852-27939186 E-mail: helen@hkwintech.com