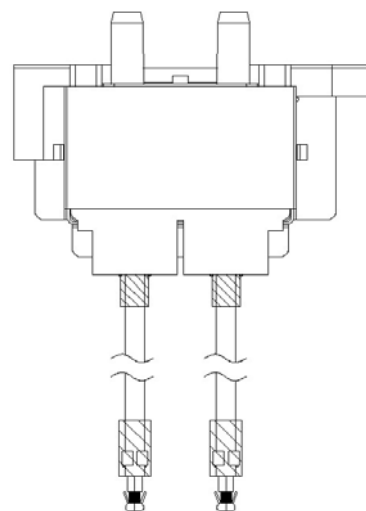
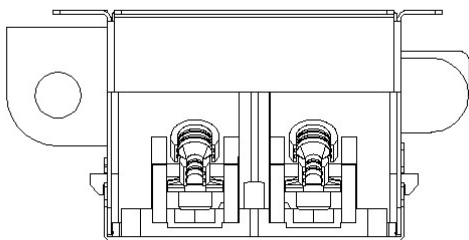
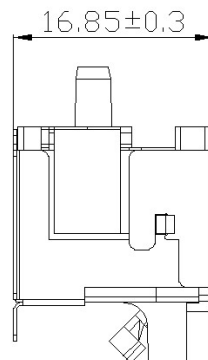
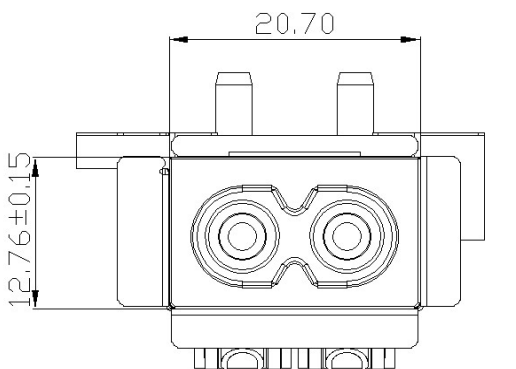




SPECIFICATIONS

- RATING : 2.5A / 250V AC
- APPROVALS : UL+CUL, CCC, ENEC

SO-222-QL



<http://www.tecx.com.tw>

Head office : T: + 886-2-26957999 E.mail: amy@tecx.com.tw Suzhou office: T:86-512-63062593 E-mailL: james@tecx.com.cn

Factory : T: +86-755-84084576 E.mailL: wan@tecx.com.cn H.K office: T: +852-27939186 E-mail: helen@hkwintech.com