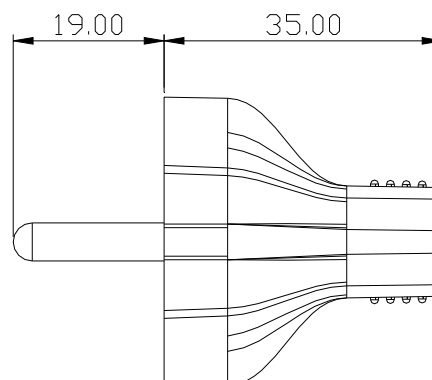
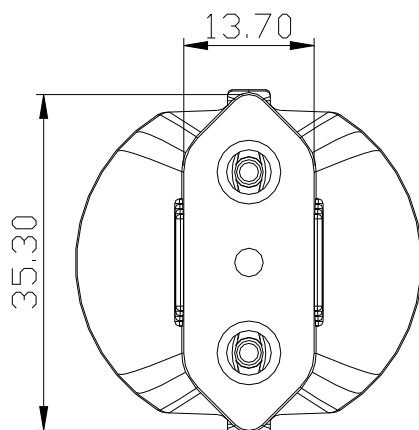
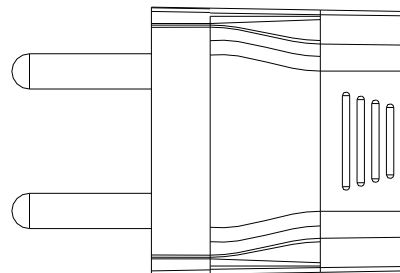
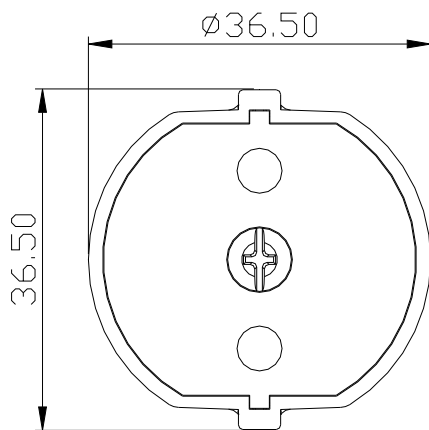




SPECIFICATIONS

- **RATING : 10A / 250V AC**

TU-007



<http://www.tecx.com.tw>

Head office : T: + 886-2-26957999 E.mail: amy@tecx.com.tw **Suzhou office:** T:86-512-63062592 E-mail: james@tecx.com.cn

Factory : T: +86-755-89942888 E.mail: wan@tecx.com.cn **H.K office:** T: +852-27939186 E-mail: helen@hkwintech.com