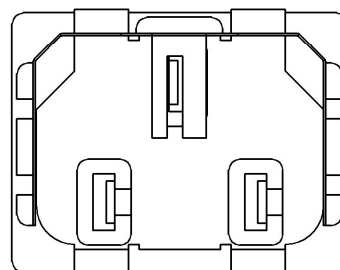
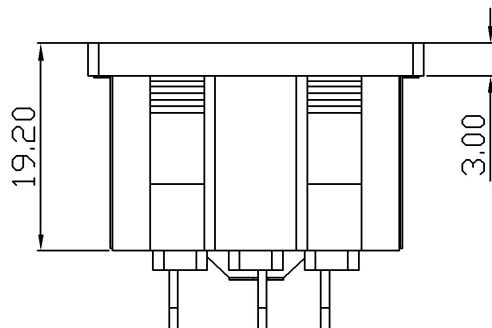
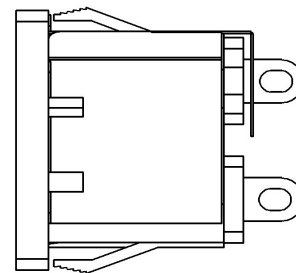
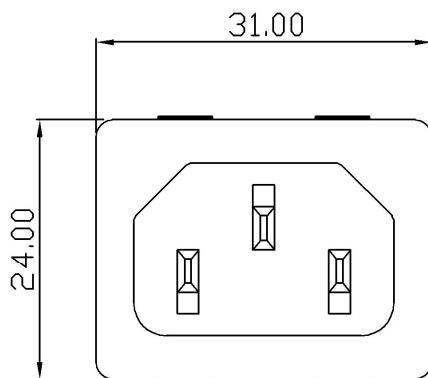


## SPECIFICATIONS

- **RATING : 10A / 250V AC**  
**15A / 250V AC**
- **APPROVALS : UL/CSA/CCC/ENEC**

**TU-301-S-WL-Y13+M06B**



<http://www.tecx.com.tw>

**Head office :** T: + 886-2-26957999 E-mail: [amy@tecx.com.tw](mailto:amy@tecx.com.tw) **Suzhou office:** T: 86-512-63062593 E-mail: [james@tecx.com.cn](mailto:james@tecx.com.cn)

**Factory :** T: +86-755-84084576 E-mail: [wan@tecx.com.cn](mailto:wang@tecx.com.cn) **H.K office:** T: +852-27939186 E-mail: [helen@hkwintech.com](mailto:helen@hkwintech.com)