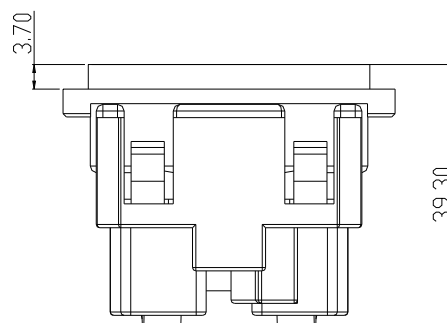
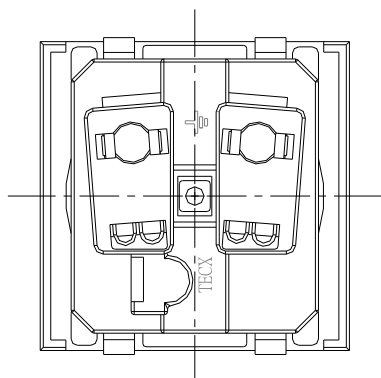
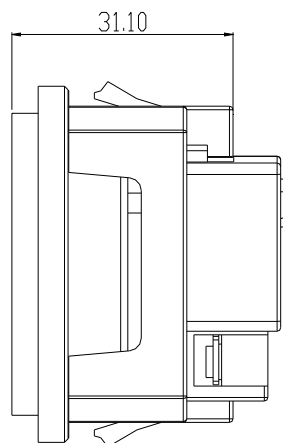
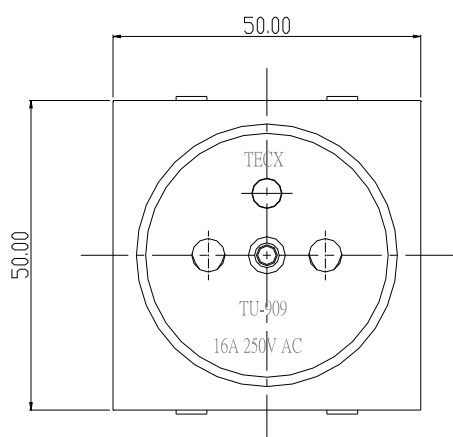




SPECIFICATIONS

RATING : 16A / 250V AC

TU-909 法式座



<http://www.tecx.com.tw>

Head office : T: + 886-2-26957999 E.mail: amy@tecx.com.tw **Suzhou office:** T:86-512-63062592 E-mailL: james@tecx.com.cn

Factory : T: +86-755-89942888 E.maill: [wan@tecx.com.cn](mailto:wang@tecx.com.cn) **H.K office:** T: +852-27939186 E-mail: helen@hkwintech.com