



SPECIFICATIONS

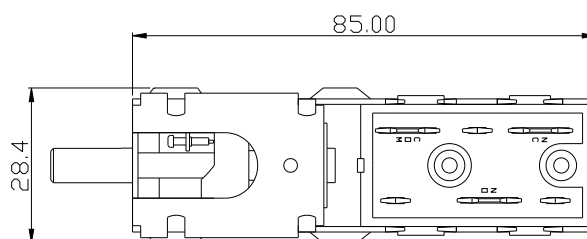
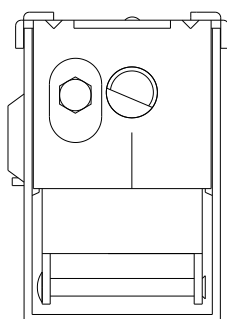
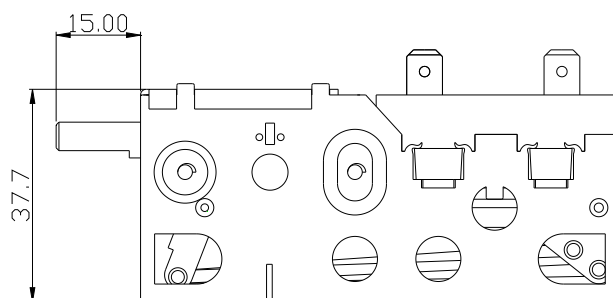
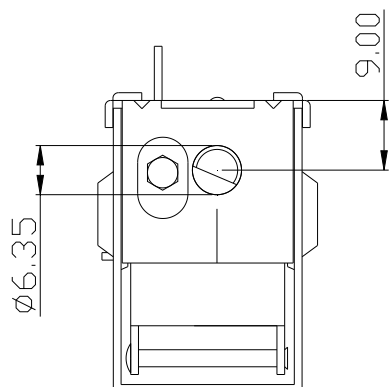
RATING : 5 A / 240V AC, 2.2A/240VAC

10A / 120V AC, 4.4A/120VAC

APPROVALS : UL/CSA/VDE

TW2001R-A(E) for Dehumidifier

TW2001R-B(E) for Humidifier



<http://www.tecx.com.tw>

Head office : T: + 886-2-26957999 E.mail: amy@tecx.com.tw **Suzhou office:** T: 86-512-63062592 E-mail: james@tecx.com.cn

Factory : T: +86-755-89942888 E.mail: wan@tecx.com.cn **H.K office:** T: +852-27939186 E-mail: helen@hkwintech.com