



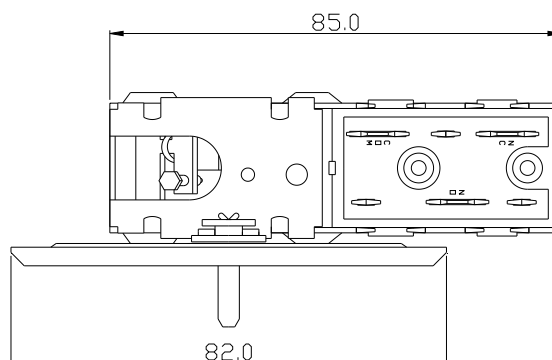
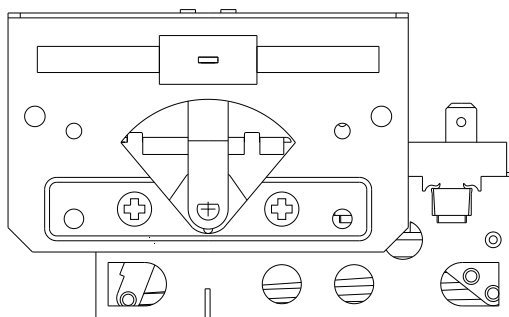
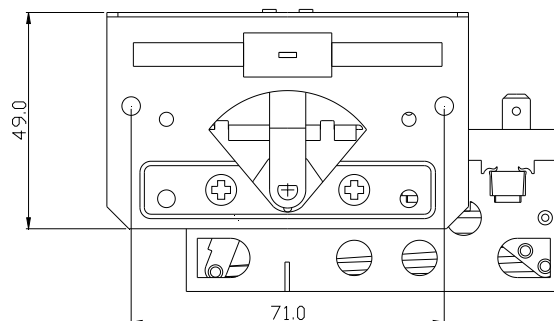
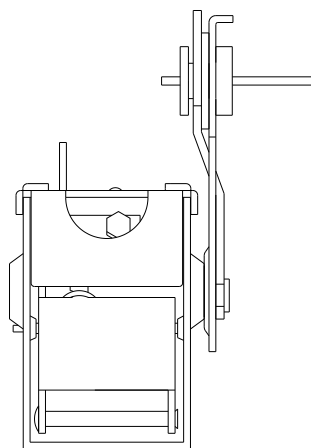
SPECIFICATIONS

**RATING : 5A / 240V AC, 2.2A/240VAC
10A / 120V AC, 4.4A/120VAC**

- **APPROVALS : UL/CSA/VDE**

TW2001 S-A for Dehumidifier

TW2001 S-B for Humidifier



<http://www.tecx.com.tw>

Head office : T: + 886-2-26957999 E.mail: amy@tecx.com.tw **Suzhou office:** T:86-512-63062592 E-mail: james@tecx.com.cn

Factory : T: +86-755-89942888 E.mail: [wan@tecx.com.cn](mailto:wang@tecx.com.cn) **H.K office:** T: +852-27939186 E-mail: helen@hkwintech.com